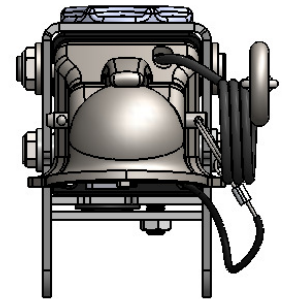
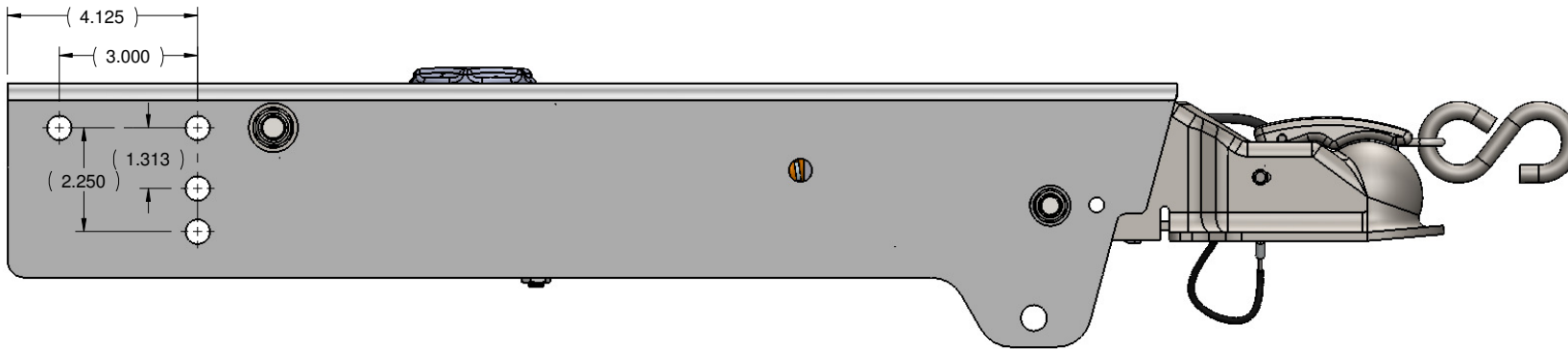
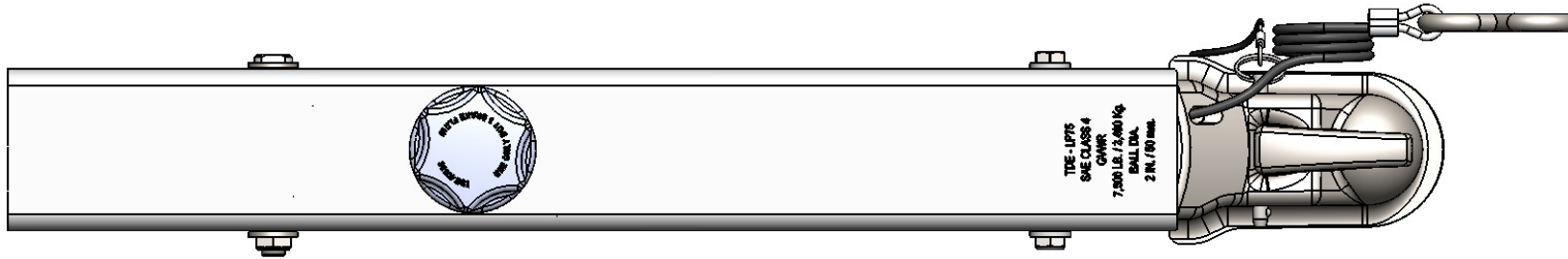



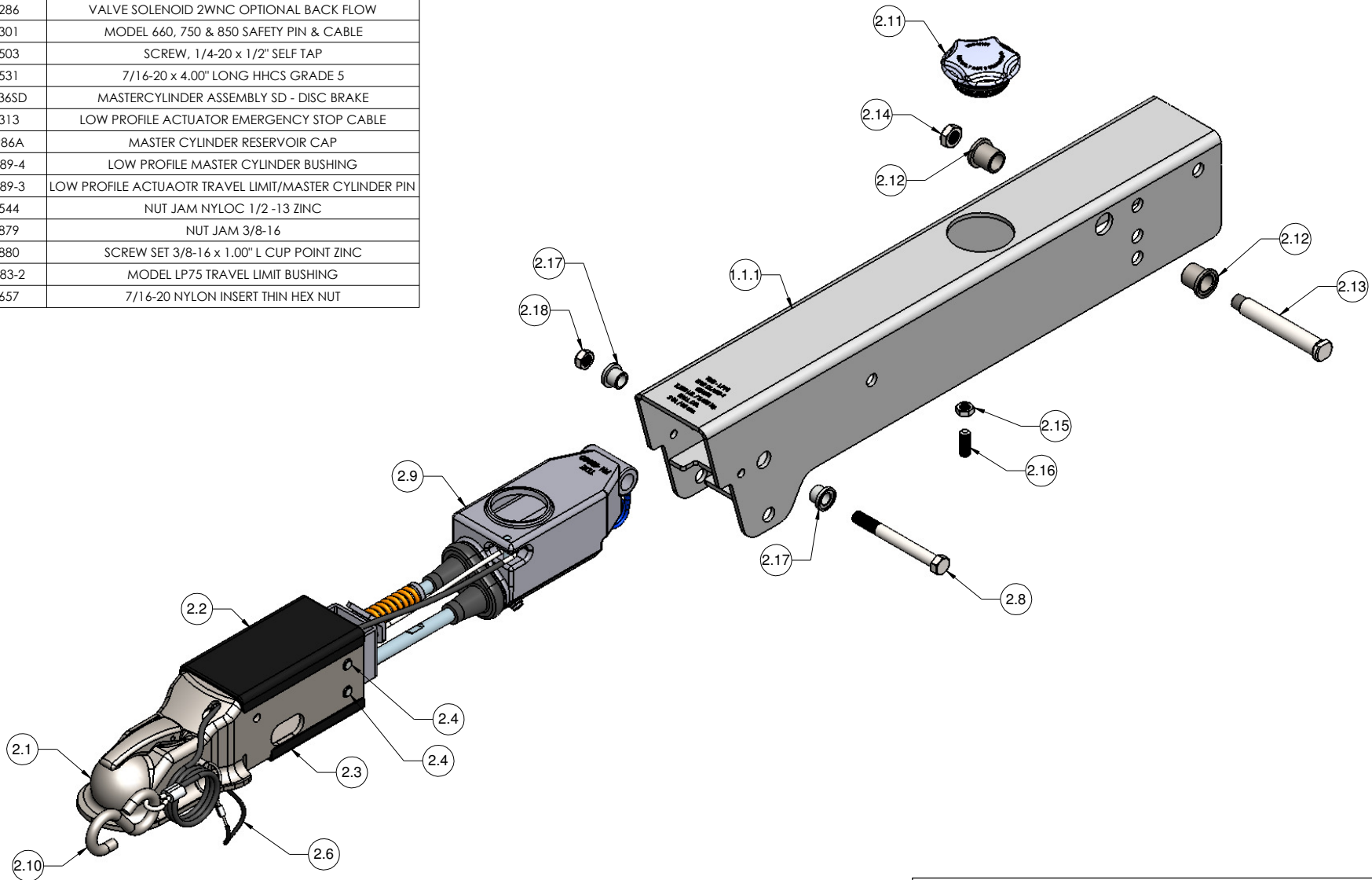
REVISONS				DESCRIPTION
1	5/1/2013	R.C.	TJP	CHANGED BOM TO USE PIN AND BUSHING KIT NUMBERS
2	7/17/2014	R.C.	TJP	70486SD (70486)
3	3/13/2015	R.C.	TJP	REFLECTS REVISION 1 OF 70488-1



CONFIDENTIALITY NOTICE: THIS DRAWING AND ALL INFORMATION CONTAINED WITHIN IT ARE THE PROPERTY OF TIE DOWN ENGINEERING, ATLANTA, GA 30336. ALL RIGHT ARE RESERVED.

Date: 10/20/2011	UNSPECIFIED TOLERANCES: Decimal +/- 0.1 Decimal +/- 0.06 Decimal +/- 0.030 Angles +/- 1° Holes +/- 0.008	 Tie Down Engineering 5901 Wheaton Drive, Atlanta, Georgia 30336
Drawn: TJP		
Approved: xXx		
Part No.: 70489		
Part Name: LP75 - DISC BRAKE w/SAFETY CHAIN TABS		Rev.: 3
Material: ASSEMBLY		

ITEM NO.	QTY.	PART NUMBER	DESCRIPTION
1	1	70488	MODEL LP75 BOLT ON HOUSING w/SAFETY CHAIN TABS
2	1	70486SD	MODEL LP75 SD DISC BRAKE ACTUATOR KIT
2.1	1	70481	MODEL LP75 FORMED COUPLER ASSEMBLY
2.2	1	70482-1	MODEL LP75 - TOP NYLON SLIDE
2.3	1	70482-2	MODEL LP75 - BOTTOM NYLON SLIDE
2.4	2	70476-3	MODEL LP75 E-STOP CAGE PIN
2.5	1	11286	VALVE SOLENOID 2WNC OPTIONAL BACK FLOW
2.6	1	50301	MODEL 660, 750 & 850 SAFETY PIN & CABLE
2.7	1	10503	SCREW, 1/4-20 x 1/2" SELF TAP
2.8	1	10531	7/16-20 x 4.00" LONG HHCS GRADE 5
2.9	1	70436SD	MASTERCYLINDER ASSEMBLY SD - DISC BRAKE
2.10	1	50313	LOW PROFILE ACTUATOR EMERGENCY STOP CABLE
2.11	1	48986A	MASTER CYLINDER RESERVOIR CAP
2.12	2	48989-4	LOW PROFILE MASTER CYLINDER BUSHING
2.13	1	48989-3	LOW PROFILE ACTUAOTR TRAVEL LIMIT/MASTER CYLINDER PIN
2.14	1	10544	NUT JAM NYLOC 1/2 -13 ZINC
2.15	1	10879	NUT JAM 3/8-16
2.16	1	10880	SCREW SET 3/8-16 x 1.00" L CUP POINT ZINC
2.17	2	70483-2	MODEL LP75 TRAVEL LIMIT BUSHING
2.18	1	10657	7/16-20 NYLON INSERT THIN HEX NUT



CONFIDENTIALITY NOTICE: THIS DRAWING AND ALL INFORMATION CONTAINED WITHIN IT ARE THE PROPERTY OF TIE DOWN ENGINEERING, ATLANTA, GA 30336. ALL RIGHT ARE RESERVED.

Date:
10/20/2011

Drawn:
TJP

Approved:
xXx

UNSPECIFIED TOLERANCES:
Decimal +/- 0.1
Decimal +/- 0.06
Decimal +/- 0.030
Angles +/- 1°
Holes +/- 0.008



Tie Down Engineering
5901 Wheaton Drive, Atlanta, Georgia 30336

Part Name:
LP75 - DISC BRAKE w/SAFETY CHAIN TABS

Material:
ASSEMBLY

Part No.: 70489
Rev.: 3
Sheet: 2 of 2