



6400 SERIES TONGUE JACK



WARNING READ INSTRUCTIONS CAREFULLY BEFORE INSTALLING, OPERATING, OR SERVICING THIS JACK. FAILURE TO COMPLY WITH INSTRUCTIONS COULD RESULT IN SERIOUS INJURY. RETAIN THESE INSTRUCTIONS FOR FUTURE REFERENCE.

ASSEMBLY

Bolted Swivel Mount Assemble jack as shown in the parts drawing making sure that the protrusion in the center of the clover washer enters the center hole in the swivel plate. Printing on the swivel bracket washer should not be visible after assembly. Tighten nuts evenly.

Snap Ring Swivel Mount Assemble jack as shown in the parts drawing and install retaining ring with snap ring pliers. Make certain that snap ring is securely seated in groove.

MOUNTING

Bolt-on Place jack on trailer tongue in a location that avoids interference with the boat, trailer and tow vehicle during all conditions of use. Make sure the jack cannot contact the tow vehicle when making tight turns. Tighten all bolts evenly.

Weld-on Weld on jack brackets need to be installed by a competent welder. Determine location per instruction above.

After bracket is painted, assemble jack according to the parts drawing and assembly instructions above. Note that bolts (QQ) are self-threading and require considerable installation force.

A-Frame Insert jack through hole in coupler and secure with bolts, lock washers, and nuts. A removable wheel or foot can be purchased separately. **CAUTION** When using the removable wheel with tongue weights over 250lb/114Kg, a No. 6612 support plate should be securely welded to the bottom of the trailer frame. Failure to do so could result in jack and coupler damage.

OPERATION

When jack reaches either end of its travel do not force handle or damage to the jack will result. When moving trailer by hand, crank jack to lowest position. Do not use the jack as a convenient hand hold. Avoid rolling jack over rough or soft surfaces. Raise jack completely before towing.

WARNING Use of a swivel type jack without the swivel handle completely engaged could result in the trailer tongue suddenly dropping and could cause personal injury.

CAUTION Loads in excess of rating shown on jack label will cause accelerated wear and possible failure. This jack is not for highway use. Never tow trailer with load applied to jack.

MAINTENANCE

Minimal maintenance is required to keep your tongue jack looking new and in good working order. Protect the finish by keeping it clean and waxed. Lubrication is needed if the jack cranks roughly or produces a grinding noise when operated. With weight off the jack remove jack from tongue. Remove end cap (MM). (See parts list on back page.) Remove pin (1) holding handle in place. Remove handle and miter gear (2). Turn jack upside down and shake gently to allow miter gear (3) to drop out. Align dowel pin (4) with hole in side of outer post assembly. Gently tap outer post assembly sideways allowing dowel pin to slip free from jackscrew and drop through hole in outer tube. Tap top of jackscrew to remove inner tube assembly. Do not attempt to remove screw from inner tube. Lubricate screw, thrust bearing (FF), and miter gears (2) and (3) with grease.

CE EC Declaration of Conformity – Dutton-Lainson Company, Hastings, NE 68902-0729 U.S.A. manufactures and declares that the jack identified above fulfills all relevant provisions of the Directive 2006/42/EC. The technical file may be obtained from the persons listed below.

Hastings, NE USA
July 1, 2014

Ron Haase
Senior Vice President
Dutton-Lainson Company

Peter Munday
Bainbridge International Limited
8 Flanders Park
Hedge End
Southampton
Hampshire, SO30 2FZ

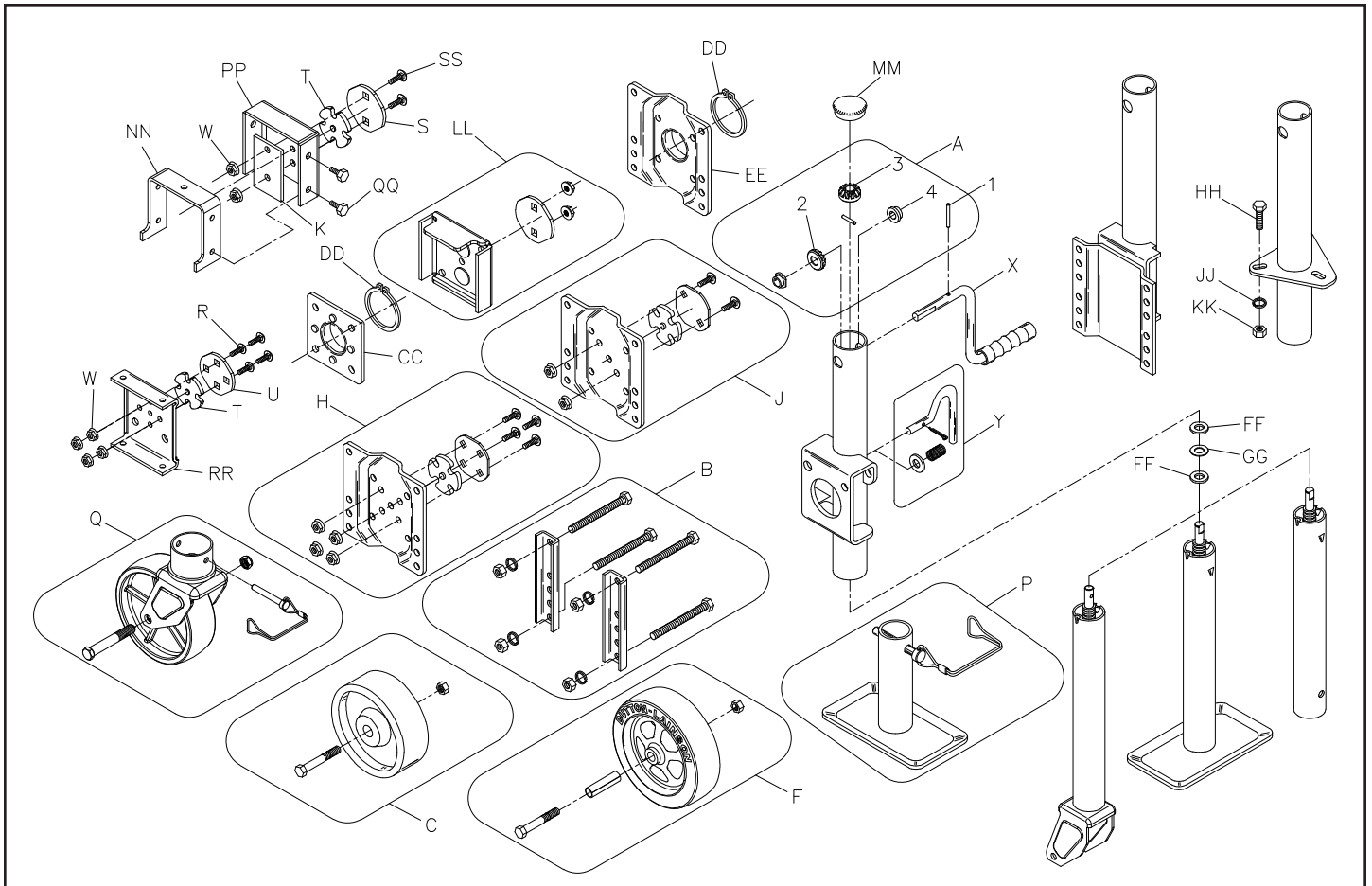


A Dependable Company Since 1886

DUTTON-LAINSON COMPANY
Hastings, NE 68902 U.S.A. • Tel 402-462-4141 • Fax 402-460-4612
www.dutton-lainson.com • E-mail: dlsales@dutton-lainson.com

MADE IN
U.S.A.

ISO 9001:2008 REGISTERED Q.M.S.



6400 Series Tongue Jack Parts List

Ref.	Description	Part No.	Ref.	Description	Part No.
A	6812B Miter Gear Kit	5224373	CC	Weld-On Swivel Bracket, 3/8" Handle (6611)	403411
B	6804 Clamp & Bolt Kit	5224431	CC	Weld-On Swivel Bracket, 1/2" Handle (6616)	5226717
C	6" Wheel Kit (6806)	5224407	DD	Retaining Ring	203916
F	8 Inch Wheel (6807)	5224100	EE	Snap Ring Swivel Plate	403413
H	6808 Swivel Plate Kit (4 Bolt) for 1/2" Handle	5224258	FF	Hardened Flat Washer (2)	207357
H	6808 Swivel Plate Kit (4 Bolt) for 3/8" Handle	5224449	GG	Plastic Thrust Washer	207356
J	6809 Swivel Plate Kit (2 Bolt) for 1/2" Handle	5224266	HH	Hex Bolt 3/8"-16 X 1" (3)	205043
J	6809 Swivel Plate Kit (2 Bolt) for 3/8" Handle	5224829	JJ	Lock Washer 3/8"-16 (3)	205042
K	Reinforcement Plate	403587	KK	Hex Nut 3/8"-16 (3)	205050
P	Removable Foot & Clevis Pin (6606)	5225412	LL	Weld-On Swivel Bracket (6610)	5226675
Q	Removable Caster Wheel (6604)	5224142	MM	End Cap	5223540
R	Carriage Bolt 3/8"-16 x 1" (2)	205389	NN	Weld on Strap	403563
S	Swivel Bracket Washer (2 Bolt)	403491	PP	Weld on Cover Bracket	403562
T	Clover Leaf Washer	403283	QQ	Thread Forming Screw (4)	203466
U	Swivel Bracket Washer (4 Bolt)	403282	RR	6684 4-1/2" Channel Mount Plate	403594
W	Flanged Lock Nut 3/8" - 16 (2)	205285	RR	6685 5-1/2" Channel Mount Plate	403595
X	Jack Handle Assy w/pin (6810A)	5224464	RR	6686 6-1/2" Channel Mount Plate	403596
Y	Swivel Handle 3/8" Dia. Kit	5224498	SS	Carriage Bolt 3/8"-16 X 1-1/4" (2)	205372
Y	Swivel Handle 1/2" Dia. Kit	5224548			

To order these accessories or replacement parts contact your D-L dealer or

Pour commander ces accessoires ou des pièces de rechange, se mettre en contact avec le concessionnaire D-L ou

Para pedir estos accesorios o repuestos, comuníquese con el concesionario de D-L o con

Dutton-Lainson Company
www.dlco.com
Tel: 800-569-6577
Fax: 402-460-4612
e-mail: DLSales@dutton-lainson.com

In Europe Contact:
Bainbridge International Ltd.

8 Flanders Park
Hedge End
Southampton
Hampshire, SO30 2FZ
UK
Tel: +44 (0) 1489-776050
Fax: +44 (0) 1489-776055
www.bainbridgemarine.co.uk